

2011-2012 CATALOG



TURNSTYLE
ENTERPRISES

“ARMLESS”
GATE
OPENERS

HINGE
KITS

ACCESSORIES
& MORE



1-800-548-2212
WWW.TURNSTYLEGATES.COM



2011-2012 CATALOG

WWW.TURNSTYLEGATES.COM

1-800-548-2212

TABLE OF CONTENTS

GATE OPENER KIT COMPONENTS	PAGE 3
GATE SPECIFICATION CHART	PAGE 3
STEEL MODEL (PILLAR MOUNT)	PAGE 4
STEEL MODEL (GROUND MOUNT)	PAGE 5
PRO-LINE 2500 MODEL	PAGE 6
GATE MOUNTING BRACKETS	PAGE 7
PRE-INSTALLATION MEASUREMENTS	PAGE 8
ACCESSORIES	PAGE 9
ADJUSTABLE J-BOLTS	PAGE 11
SAFETY & EXIT DEVICES	PAGE 12
HINGE KITS	PAGE 13
NEW ITEMS FOR 2012	PAGE 14
DOVETAIL 2400 MODEL	PAGE 14
F.A.Q.	PAGE 15
FEATURES & BENEFITS	PAGE 16

WHAT MAKES A TURNSTYLE™ SO SPECIAL?

TURNSTYLE™ ARMLESS GATE
OPENERS SERVE AS BOTH HINGE &
OPERATOR FOR YOUR GATES.

Rather than attaching an external armed operator onto your gate, the Turnstyle™ operator is an upright rotating post which gates are then attached onto via use of Turnstyle's line of brackets or by custom welds. Therefore, the Turnstyle™ operator can work with *any* type of gate.



TURNSTYLE STEEL MODEL OPERATOR
GATE MOUNTING BRACKETS (Wood)
STANDARD CONTROL BOX

ALL GATE OPENER KITS INCLUDE:

GATE OPERATOR ASSEMBLY

Gate Operator Assembly varies in style depending on the operator model and comes with 1 Upper and 1 Lower Pillar Mounting Bracket (or 1 Ground Sleeve for Ground Mount Operators) per operator, as well as 2 Gate Mounting Brackets per operator. **One Gate Operator Assembly is provided for Single Gate Kits and Two Gate Operator Assemblies are provided for Dual Gate Kits.**

CONTROL BOX KIT ASSEMBLY

The Control Box Assembly Includes: Main Control Board, Wireless Receiver Board, 12 Volt Rechargeable Battery & 18 Volt Transformer/Battery Charger. **Turnstyle also offers a large Heavy Duty Control Box with extra room for additional accessories which can be upgraded upon request. Additional charge applies.**

2 KEYCHAIN REMOTES

Two Keychain Remotes are included with each Gate Opener Kit for wireless opening and closing of your gates. **Other gate opening accessories are available on Pages 9 – 11.**

INSTALLATION INSTRUCTIONS

Installation Manual and DVD are provided with every Gate Opener Kit as well as two safety placards.



GATE LENGTH/WEIGHT SPECIFICATIONS

The chart to the right illustrates the Gate Length & Weight limitations for each Turnstyle™ Gate Opener Model.

Installations which fail to comply with these specifications are considered null of warranty.

These specifications have been implemented to avoid improper installation of Turnstyle™ brand products on gates that do not meet the proper weight and length recommendations.

Gate Length (Ft)	50 LBS	100 LBS	200 LBS	300 LBS	400 LBS	500 LBS
3 FT						
4 FT	Steel Ground					
5 FT	Mount Models				Pro-Line 2500 Models	
6 FT						
7 FT						
8 FT	Dovetail 2400 & Steel Pillar					
9 FT	Mount Models					
10 FT						
11 FT						
12 FT						N/A
12 - 18 FT						

GATE OPENERS



STEEL MODEL PILLAR MOUNT



The Turnstyle™ Steel Model is available in both Pillar & Ground Mount Models.

The Steel Pillar Mount Model mounts to a pillar or post by use of Pillar Mounting Brackets as pictured to the right.

Gates are then attached to the operator by use of Gate Mounting Brackets which are available in **Wood**, **Unicorn** or **Tube** styles (*Wood Gate Mounting Brackets pictured to the right*).

The Turnstyle™ Steel Model comes in standard sizes of 4, 5 & 6 feet in height. Customized heights are available upon request for an additional fee of \$150.00 per operator. All Turnstyle™ gate openers are powder coated black unless otherwise specified. Custom color powder coating is also available upon request for an additional \$150.00 per operator and may delay availability. All Turnstyle™ gate openers come standard with 90° of swing which is customizable from 25° - 180° upon special request. Custom opening range is an additional \$150.00 per operator and is non-adjustable once the operator(s) have been assembled.

The Turnstyle™ Steel Model is intended for use on gates up to 12 feet in length and/or up to 300 lbs per gate leaf when used in the Pillar Mount Configuration. *Please see Page 5 for information on our Ground Mount openers.* Refer to the Length/Weight Specification Chart on Page 3 to decide which Turnstyle™ Model is right for your gates.



GATE OPENERS

STEEL MODEL GROUND MOUNT



The Turnstyle™ Steel Model is available in both Pillar & Ground Mount Models.

The Steel Ground Mount Model is self-supported in the ground by use of a Ground Sleeve as pictured to the right.

Gates are then attached to the operator by use of Gate Mounting Brackets which are available in **Wood**, **Unicorn** or **Tube** styles (*Tube Gate Mounting Brackets pictured to the right*).

The Turnstyle™ Steel Ground Mount Model comes standard in heights of 41.5” with a Ground Sleeve of 31”. All Turnstyle™ gate openers are powder coated black unless otherwise specified. Custom color powder coating is also available upon request for an additional \$150.00 per operator and may delay availability. All Turnstyle™ gate openers come standard with 90° of swing which is customizable from 25° - 180° upon special request. Custom opening range is an additional \$150.00 per operator and is non-adjustable once the operator(s) have been assembled.

The Turnstyle™ Steel Ground Mount Model is intended for use on gates up to 6 feet in length and/or up to 100 lbs per gate leaf when used in the End Mount Configuration. When used in the Center Mount configuration (*as pictured below*) gate length and weight are not critical as both ends are equally balanced. Refer to the Length/Weight Specification Chart on Page 3 to decide which Turnstyle™ Model is right for your gates.

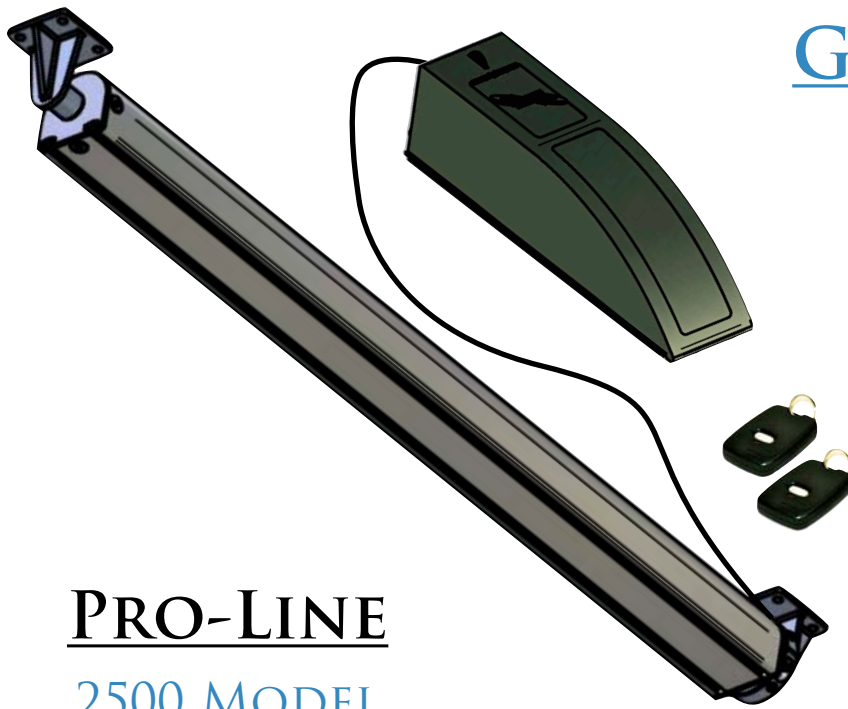


CENTER MOUNT



END MOUNT

GATE OPENERS



PRO-LINE 2500 MODEL

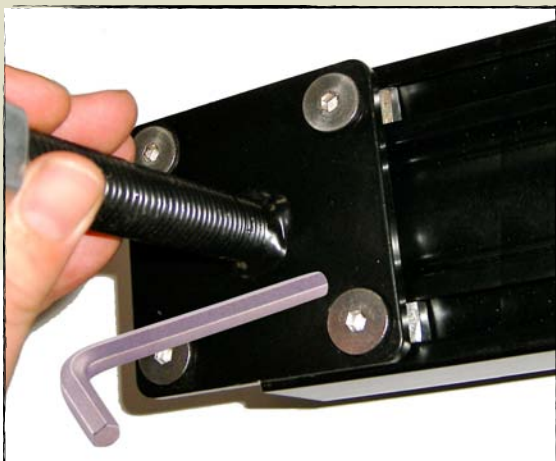


The Turnstyle™ Pro-Line 2500 Model is made from a thick-walled aluminum extrusion and mounts to a pillar or post by use of Pillar Mounting Brackets as pictured to the right. *This model is available in Pillar Mount Only.*

Gates are then attached to the operator by use of Adjustable Gate Mounting Brackets which are available in **Wood, Unicorn** or **Tube** styles.

The Turnstyle™ Pro-Line 2500 Model comes in standard sizes of 4, 5 & 6 feet in height. Customized heights are available upon request for an additional fee of \$150.00 per operator. All Turnstyle™ gate openers are powder coated black unless otherwise specified. Custom color powder coating is also available upon request for an additional \$150.00 per operator and may delay availability. All Turnstyle™ gate openers come standard with 90° of swing which is customizable from 25° - 180° upon special request. Custom opening range is an additional \$150.00 per operator and is non-adjustable once the operator(s) have been assembled.

The Turnstyle™ Pro-Line 2500 Model is intended for use on gates up to 18 feet in length and/or up to 500 lbs per gate leaf when used in the Pillar Mount Configuration. Refer to the Length/Weight Specification Chart on Page 3 to decide which Turnstyle™ Model is right for your gates.



The photo to the left illustrates how easy it is to adjust the Gate Mounting Brackets on the Pro-Line 2500 Model operator.

Simply position the brackets to the desired location on the operator by use of the bracket sliders and tighten the four screws in place by using a 7/32 Allen Wrench.

GATE MOUNTING BRACKETS



UNICORN BRACKET



TUBE BRACKET



WOOD/VINYL BRACKET

The Turnstyle™ Unicorn Bracket is designed for use with Steel and Aluminum Gates. This style bracket consists of a threaded bolt with up to 3" adjustability depending on the size of your gate. Unicorn Brackets are available in 3/4" and 3/8" sizes. Each unicorn bracket comes with two nuts to allow for adjustability.

The Turnstyle™ Tube Bracket is designed for use with Farm/Tube and Chain Link Gates. This style bracket is available in 1 3/8", 1 5/8", 1 3/4" or 2" diameters depending on the outer diameter of your tube gate.

The Turnstyle™ Wood Bracket is designed for use with all types of Wood Gates and most solid panel Vinyl Gates. Wood/Vinyl Brackets are available in 1" and 1.5" widths. Adjustable Wood/Vinyl Brackets also available upon request.

MEASURING FOR TUBE GATE BRACKETS

Match your gate's tube circumference measurement with the appropriate diameter bracket (*see diagram*).

- * Circumference = distance *around* the tube
- * Diameter = distance *across the center* of the tube
- * Example: A 1 5/8" diameter tube bracket will fit a gate with a tube circumference of 5" around.

Bracket Diameter = Tube Circumference

$$1 \frac{3}{8}'' = 4 \frac{5}{16}''$$

$$1 \frac{5}{8}'' = 5''$$

$$1 \frac{3}{4}'' = 5.5''$$

$$2'' = 6 \frac{1}{4}''$$

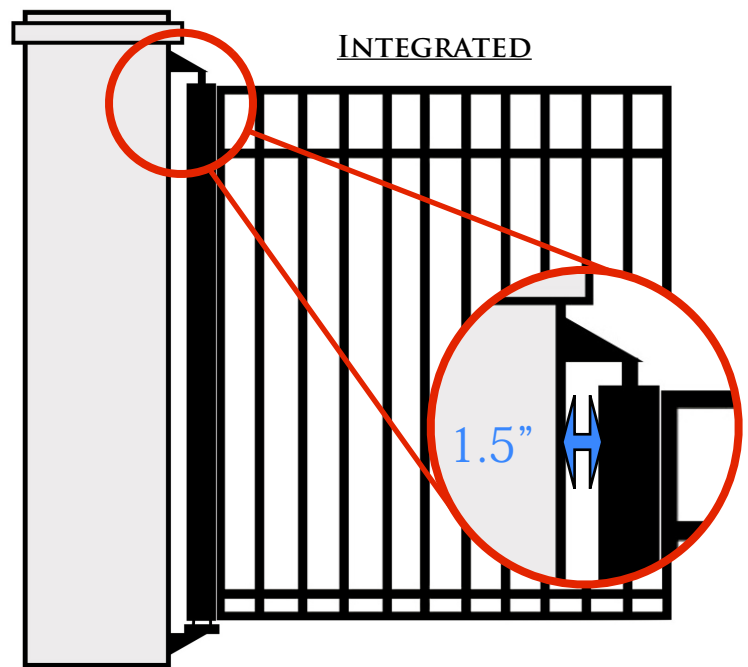
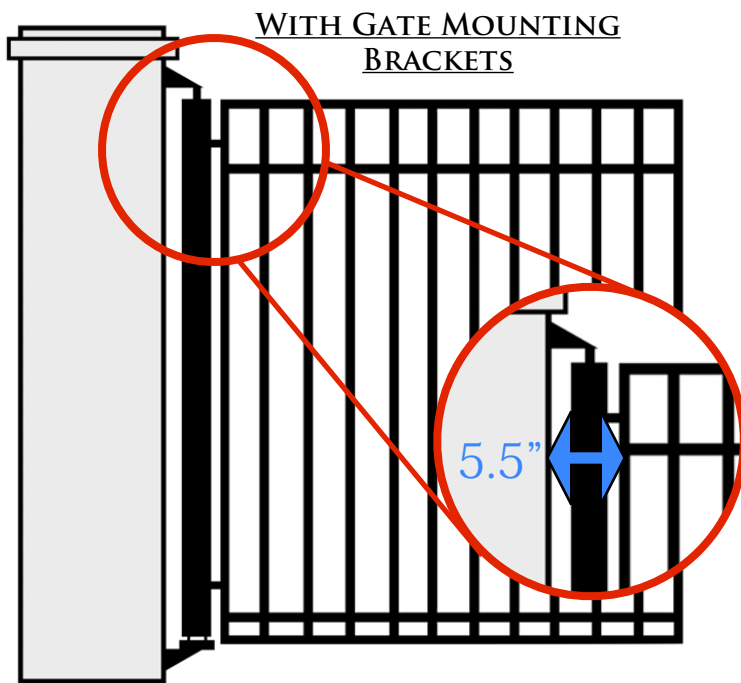


Proper gate mounting hardware is provided with all Gate Mounting Brackets.

PRE-INSTALLATION MEASUREMENTS

Before installing your Turnstyle™ “Armless” Gate Opener, you must first ensure that you have enough room between your columns to allow both your gate(s) and operator(s) to fit. In some applications, gates can be integrated by welding directly to the operator (*steel gates can be welded to the Steel Model and aluminum gates can be welded to the Pro-Line 2500 Model*).

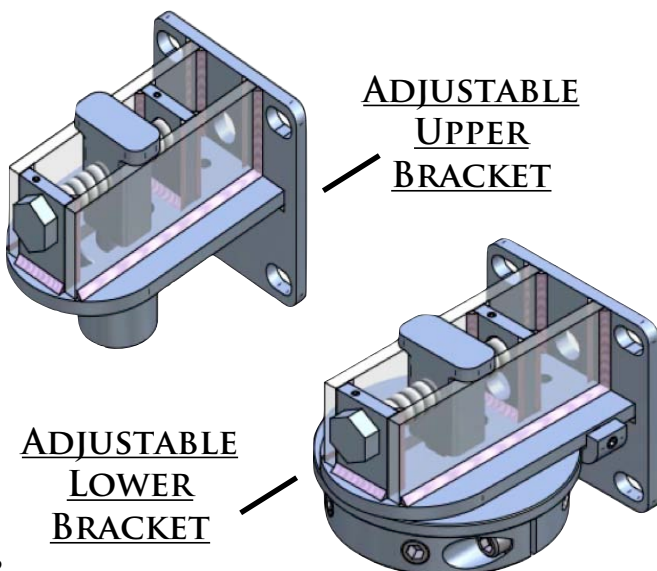
When the Turnstyle™ operator is mounted to the end of your gate, the operator becomes your gate’s hinge and accounts for approximately 5.5” when Gate Mounting Brackets are used and approximately 1.5” when gates are integrated directly to the operators. In order to correctly mount your Turnstyle™ operator to a pillar/post, the pillar/post must be at least 6” taller than your gate operator.



If you are using Gate Mounting Brackets to mount your gate to the operator, allow approximately 5.5” from the edge of the pillar/post to the mounting edge of your gate (to include pillar mount brackets, operator and the gate mounting brackets).

If your gate is integrated with the gate operator, the operator becomes the mounting end of your gate. Allow approximately 1.5” between the edge of the pillar/post and the operator/gate.

ADJUSTABLE PILLAR MOUNTING BRACKETS



The Turnstyle™ Adjustable Pillar Mount Brackets are designed for use with both Steel and Pro-Line 2500 Models. These brackets add an additional 1.5” adjustability which makes installation easier especially when installing operators onto pre-existing pillars or columns which may not be perfectly level.

All Turnstyle™ Pillar Mount operators come standard with fixed upper and lower pillar mount brackets, but can be upgraded to adjustable pillar mount brackets for an additional \$137.00 per operator.

ACCESSORIES

WIRELESS TRANSMITTERS

A. KEYCHAIN TRANSMITTER

B. ONE-BUTTON VISOR TRANSMITTER

C. TWO-BUTTON VISOR TRANSMITTER

Wireless transmitters offer gate opening/closing at the touch of a button. Keychain or car visor versions are available so wireless access is always close at hand.

LOCKING DEVICES

D. POWER BOLT LOCK

E. 100LB MAGNETIC LOCK WITH BRACKETS

F. 600LB MAGNETIC LOCK WITH BRACKETS

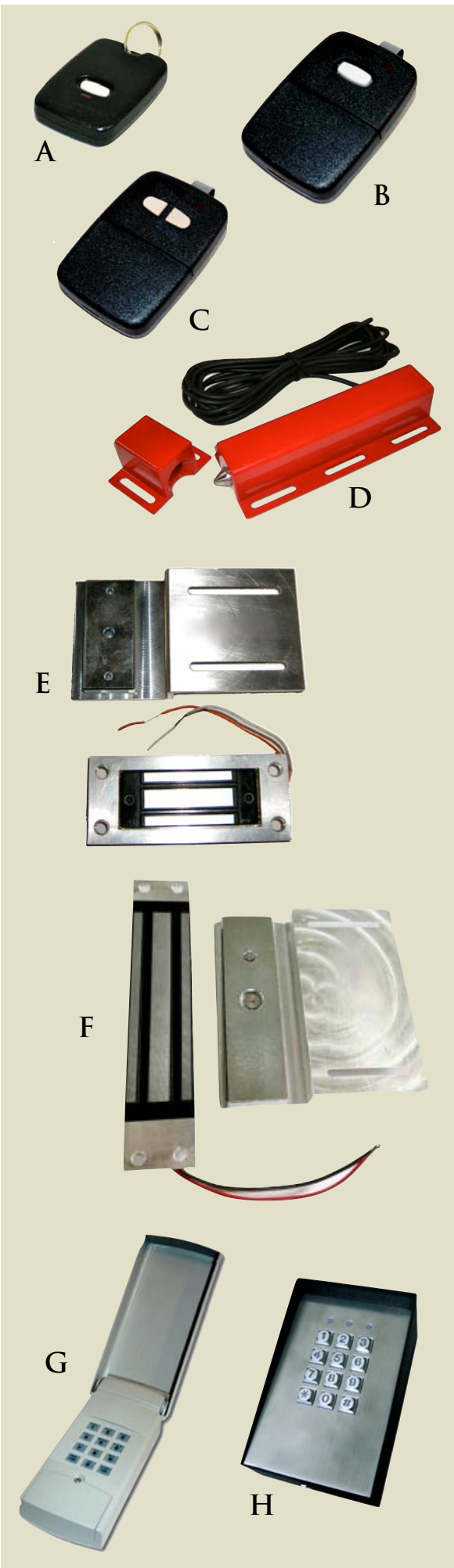
Locks offer security against weather and undesired visitors. The Power-Bolt lock is an automatic throw bolt which extends and retracts when the gates begin and end their opening/closing cycles. Turnstyle offers magnetic locks in both 100 and 600 lbs of force and also manufactures mounting brackets for each size mag lock to make installation quick and easy.

KEYPADS

G. WIRELESS KEYPAD

H. WIRED KEYPAD

Turnstyle offers both wired and wireless keypads which can be programmed to open/close gates with a variety of 4-digit codes. Wireless keypads can be mounted at least 5 feet above ground within close proximity to the gate operator control box. Wired keypads can be mounted on any keystack or flat surface and are hard wired directly to the gate operator control board allowing for installation at greater distances from the control box.



ACCESSORIES

SAFETY & EXIT DEVICES

I. PHOTO EYE

J. EXIT WAND

K. VEHICLE LOOP DETECTOR KIT

Photo Eyes help to prevent gates from encountering obstructions and are highly recommended for all gate installations where the “Auto-Close” feature is in use. **Exit Wands** prompt gates to open upon sensing an approaching vehicle to offer hands-free exiting from your property. **Vehicle Loop Detectors** are buried under a driveway and prompt gates to remain open while a vehicle is within it’s vicinity to prevent obstructions. *See page 12 for further details on Turnstyle’s Safety & Exit Devices.*

SOLAR PANELS & BATTERY CHARGING

L. 10 WATT SOLAR PANEL

M. ADJUSTABLE SOLAR PANEL BRACKET

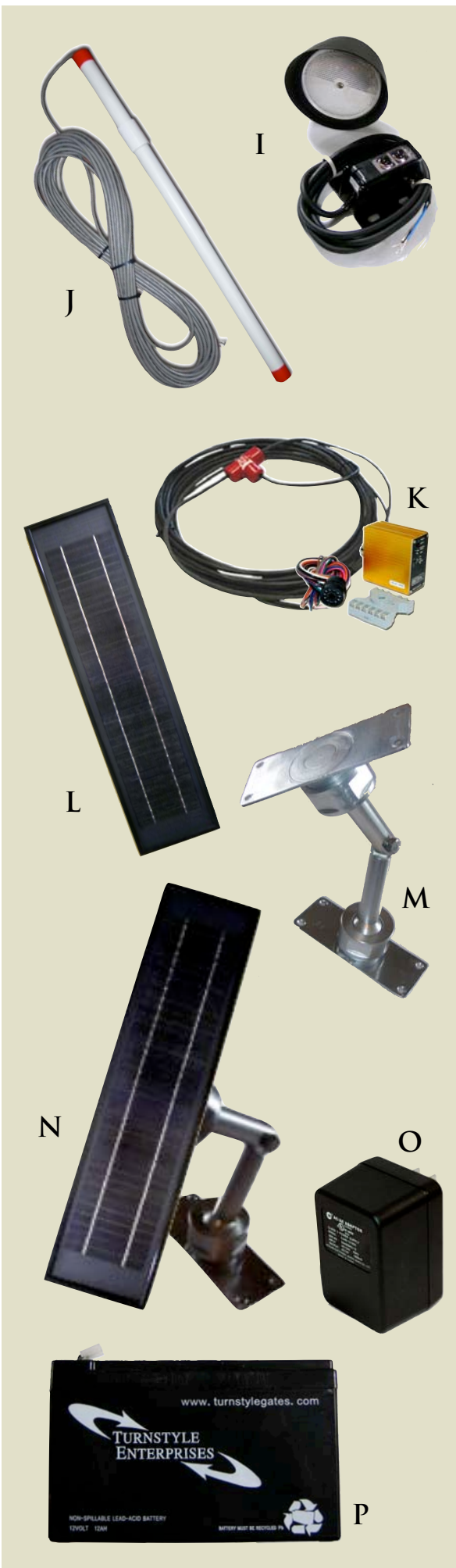
N. 10 WATT SOLAR PANEL & BRACKET COMBO

Solar panels are an energy efficient way to keep the Turnstyle™ “Armless” Gate Opener fully charged. Turnstyle also offers an adjustable mounting bracket to ensure your solar panel is positioned to receive the maximum available sunlight and makes solar panel installation quick and easy.

O. 18 VOLT TRANSFORMER/BATTERY CHARGER

P. 12 VOLT RECHARGEABLE BATTERY

Use of the 18V Transformer is the most commonly used method of keeping the 12V Battery used to power the Turnstyle™ “Armless” Gate Opener fully charged. The 18V Transformer simply gets wired to the control board by use of 14 gauge low-voltage wire and then plugged into a standard outlet.



ACCESSORIES

MISCELLANEOUS

Q. HEAVY DUTY CONTROL BOX ENCLOSURE

Upgrade to the large Heavy Duty Control Box Enclosure is recommended for gate installations where multiple accessories will be used. This control box also has enough room to house an additional 12V Rechargeable Battery if desired. Upgrade charge from standard box: \$120.00.

R. 14 GAUGE LOW-VOLTAGE WIRE

S. UNDERGROUND 4-CONDUCTOR WIRE

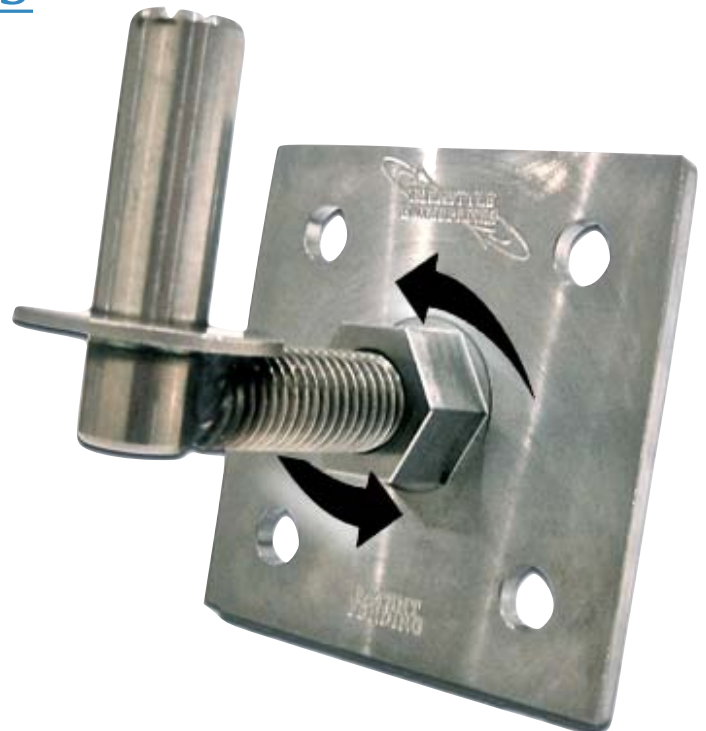
Turnstyle also provides two types of additional wire which can be used to install any of the accessories listed on the previous pages. The 14 gauge low-voltage wire is available in spools of 100' and the 4-conductor wire is available in spools of 35'.

[SHOP FOR ACCESSORIES ONLINE AT
WWW.ARMLESSGATEOPENER.COM](http://WWW.ARMLESSGATEOPENER.COM)

ADJUSTABLE J-BOLTS

The Turnstyle™ J-Bolt features a rotating nut which, when rotated, will adjust the threaded bolt in and out to achieve any desired adjustment while keeping your gate **in place** to ensure perfect gate alignment and adjustments.

Traditional J-Bolts do **not** offer infinite adjustability and only allow rotation of the threaded bolt which must ultimately rest in an upward or downward position of 90° to hang your gate. With traditional J-Bolts, gates must be removed prior to making adjustments.

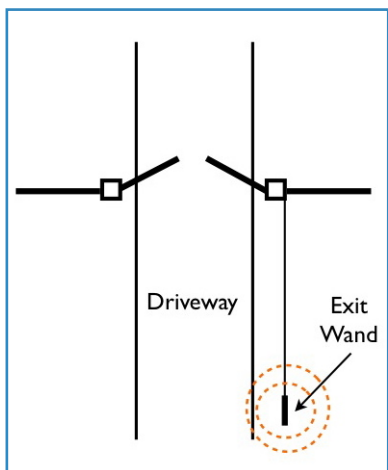




ACCESSORIES

SAFETY & EXIT DEVICES

100' EXIT WAND



Exit wands are the most convenient accessory available for hands-free opening of your gates. Wiring of the exit wand could not be easier. Simply connect the wires to your Turnstyle control board and bury your exit wand along the edge of your driveway. The exit wand will automatically sense vehicles and other large metal objects (bicycles, motorcycles, etc) when they come within close proximity to the sensor, prompting your gate to open automatically. Setting your gates to an "Auto-close" setting is recommended with this accessory.

**Note: Exit Wands are not to be used as a safety device. Exit wands are intended to be installed solely on the interior of your property for exiting purposes. Installing an exit wand on the exterior side of your property would prompt the gate to open upon sensing a vehicle approaching your gate. See diagram left.*



PHOTO EYE

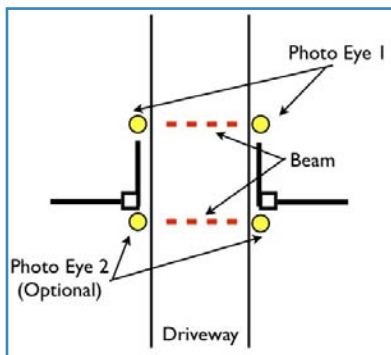


Photo Eyes are beam sensors which prevent your gates from closing when vehicles, individuals or other obstructions are in their path. Photo Eyes are a great way to help prevent gate obstructions from occurring, and are mandatory when "Auto-Close" is enabled.

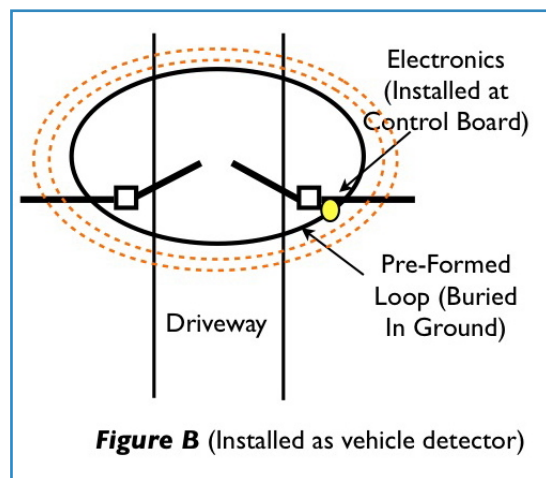
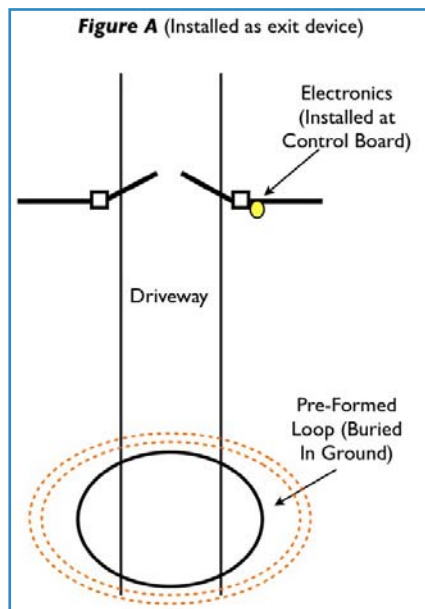
Photo Eyes are intended to be installed on the same side of the gates of which they swing, but it is a good idea to install one on either side of the gate for added security against potential obstructions. See diagram above.



VEHICLE LOOP DETECTOR KIT

The Pre-Formed Loop senses the magnetic field from vehicles while they are within range of where the loop is buried. The loop can be programmed to detect vehicles exiting the property for automatic openings like an exit wand (See figure A), but is more commonly installed below the gates swinging range to simply act as a vehicle detector to prompt gates to stay open or closed to avoid gate obstructions from occurring (See figure B).

**Note: As Loop Detector Kits are typically required to be installed under a driveway, some additional installation is required.*

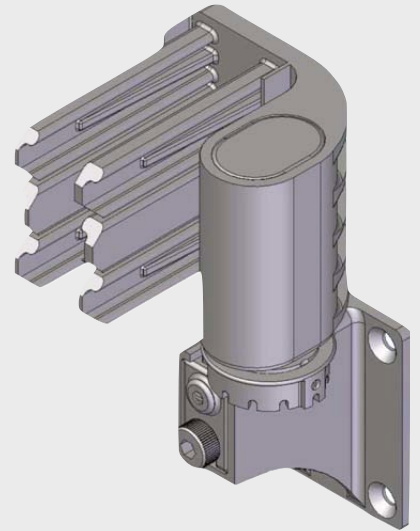


HINGE KITS



VINYL FENCE GATE KIT

Turn vinyl privacy & picket fence sections into a self-closing gate using the Vinyl Fence Gate Kit. Hinges insert into the horizontal rails of fence sections for a discreet, clean look.

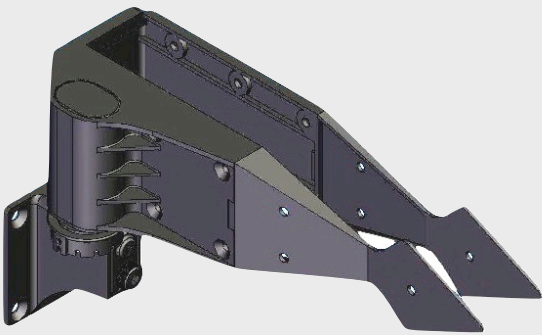


KIT INCLUDES:

2 HINGE ASSEMBLIES
1 LATCH

1 SPACER
8 END CAPS
GLUE &
INSTRUCTIONS

PRO-MODEL VINYL & WOOD FENCE GATE KIT

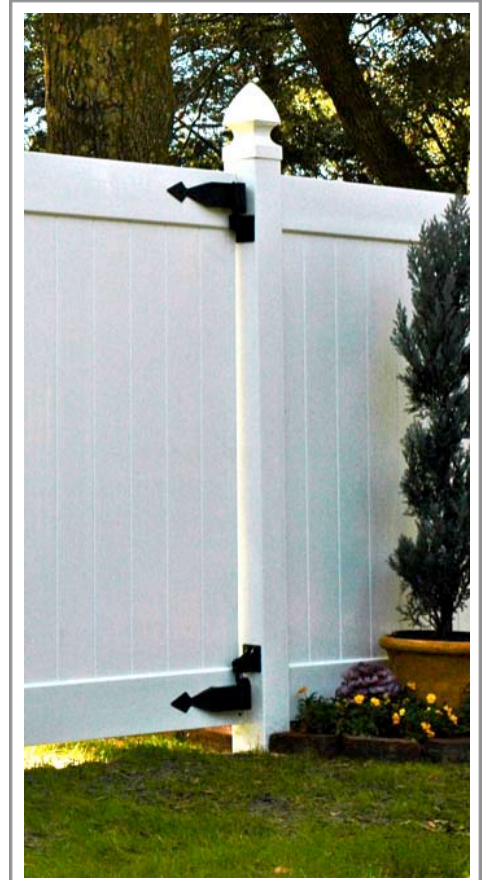


Turn vinyl & wood privacy & picket fence sections into a self-closing gate. Hinges attach onto the horizontal rails of fence sections for a decorative look.

KIT INCLUDES:

2 HINGE ASSEMBLIES
1 LATCH

4 END CAPS
GLUE &
INSTRUCTIONS



NEW ITEMS COMING 2012

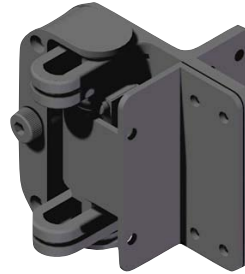
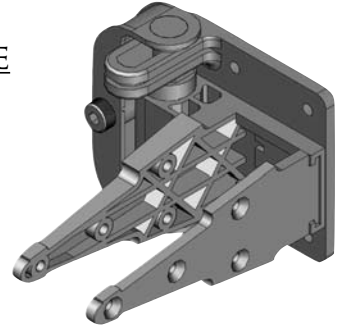
POWERGATE™ OPENER

This new compact gate opener is made specifically to work with all pre-made fence sections sold through Home Depot® and Lowe's®. The PowerGate™ opener will offer a variety of Gate Mounting Brackets to accommodate vinyl, wood, aluminum and tube gates.



VINYL/WOOD HINGE

Turn vinyl & wood privacy & picket fence sections into a self-closing gate.

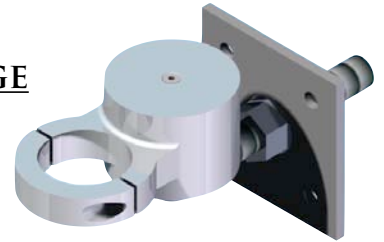


ALUMINUM HINGE

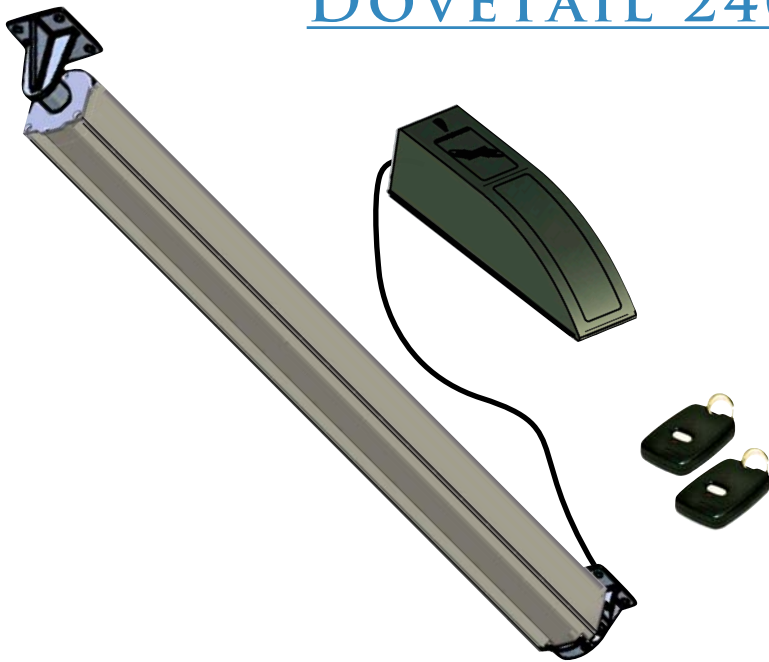
Easily turn aluminum fence sections into a self-closing gate.

ADJUSTABLE TUBE HINGE

Easily mount and adjust tube gates in place with this self-closing J-Bolt/Hinge Combo.



DOVETAIL 2400 MODEL



The newest Model of the Turnstyle™ “Armless” Gate Opener has been specifically engineered to work with vinyl and other lightweight gates such as aluminum and lightweight wood gates.

Coming 2012.



Are Turnstyle™ Gate Systems UL 325 compliant? Yes, all Turnstyle™ systems are UL 325 compliant. Our electronics board is full systems capable and accommodates most electronic components without additional programming. We meet all UL 325 safety and disclosure requirements.

Is there a maximum size gate that can be opened? Yes, please refer to the Gate Specification chart on Page 3 to see if your gates meet the proper gate weight/length specifications.

What types of fences does it work with? Turnstyle™ Gate Openers work with steel/wrought iron, aluminum, wood, vinyl/PVC, chain link, farm/tube gates and more. We have developed a bracket system to accommodate all fence materials and by selecting one of our openers of similar material (aluminum and/or steel) the opener can be welded to become an integral part of the gate.

Will it mount to a post or pillar? Yes, the Turnstyle™ Gate Opener Pillar Mount Model can be attached to any vertical surface including a post or column as well as door opening or wall. With our Ground Mount Model, the opener is a free standing post in which the gate or fence section is attached.

Is the Turnstyle™ Gate System adjustable? Yes. By selecting the adjustable pillar mount brackets, the top and bottom brackets permit 1 1/2" of travel adjustment. Unicorn Gate Mounting Brackets also offer adjustability.

Is solar power available? Yes, based on its energy efficient design, the Turnstyle™ system is ideal for solar application. The solar option allows the gate to be installed in areas where there is no other source of power making it ideal for remote locations.

Is it AC or DC driven? The Turnstyle™ system is an electrical mechanical 12 Volt DC (Direct Current) system. The battery can be charged by the included 18 volt transformer or by a 10 watt solar panel (optional).

Are Turnstyle™ Gate Systems full systems capable? Yes, Turnstyle™ Gate Openers are full systems capable. Additionally, with its advanced electronics board, it offers features and options not commonly found on most automatic gates, such as lighting, locking mechanisms and safety devices.

Does it work when the power goes out? Yes, the Turnstyle™ system is battery powered and will provide up to 100 openings and closings of the gate system after the power goes out when powered by use of the 18 volt transformer. If power is not restored in time to keep the battery from draining completely, the Turnstyle™ Gate Opener converts into a smooth manual gate with the turn of a clamp release bolt. Turnstyle™ Gate Openers that are kept charged by use of the 10 watt solar panel are unaffected by power outages.

How long does it take to install? Typical installation for a manual gate is approximately 30-60 minutes and approximately 1-2 hours for the automatic gate system. Install time may vary depending upon installation of a single or dual opener. You can download our installation manual from our website.

What maintenance is required? Little to none. The Turnstyle™ system is designed to be low maintenance. Steel Models with the drive pin access plates may be lubricated annually.

Are they suitable for all weather conditions? Yes. The system, as well as all of the key components are located inside the weather-proof Turnstyle™ operator.

Are both manual and power models available? Yes. The Turnstyle™ Gate Opener works well as either a manual or power application. Both the manual and power designs have been engineered to be the smoothest openers available.

Do Turnstyle™ Systems work well with livestock? Yes. The Turnstyle™ Gate Opener was developed and tested on our farms. With its' almost silent operation and gentle opening, the animals adjust very well. It is designed without dangerous pinch points or external arms, therefore it is safe for animals.

What happens when my power gate encounters and obstruction? The Turnstyle™ Gate Opener has built-in safety obstruction sensors, which cause the gate to stop and reverse direction four degrees then stop completely. If the gate is opened into an object two times, an alarm will sound and the gate will again stop and reverse four degrees. The gate will remain immobile until the power switch on the electronic control box is switched off and reset.

How long is the warranty? A 12 Month Warranty is included on all Turnstyle™ models.

Are there any underground components? All of the electrical components are located above ground. The wires to the motors and other accessories may be placed below ground. The Ground Mount Model includes a Ground Sleeve which is installed below ground.

Are showroom displays available? Turnstyle will sell operators to be used for showroom displays and deduct 25% off of each of the next four units sold by the company or sales individual displaying the showroom model; so after four additional sales, the showroom display would be free. Operators sold for showroom display purposes must be paid for in advance. The company or sales individual is responsible for supplying the gate and constructing their own display.

Do you provide custom gate systems? Gate operator heights, custom color powder coating and degree of swing are all customizable upon request. Additional charges do apply. *Note: Customized degree of swing is not adjustable after the operator(s) have been assembled.

How close to the gate does the electronics box need to be installed? Typically, the electronics box is located in close proximity to the gate; however, with installations that require an alternate configuration, we can accommodate an electronics box location up to 800 feet from the gate, provided the wireless receiver is mounted within range of the transmitter. Wireless transmitter signal strength may vary depending on environment.

FEATURES & BENEFITS

- * WORKS WITH ALL TYPES OF GATES INCLUDING VINYL.
- * CAN BE INTEGRATED (WELDED) DIRECTLY TO GATES FOR A SEAMLESS LOOK.
- * ALL TURNSTYLE™ MODELS ARE AVAILABLE IN AUTOMATIC OR MANUAL VERSIONS.
- * AVAILABLE IN PILLAR OR GROUND MOUNT MODELS.
- * UL325 COMPLIANT.
- * CAPABLE OF OPENING IN EITHER DIRECTION WITH 90°-180° OPENING RANGE.
- * QUICK & EASY INSTALLATION.
- * WIDE ARRAY OF GATE OPENING ACCESSORIES ARE AVAILABLE.
- * “ARMLESS” DESIGN IS DISCREET AND DOES NOT DETRACT FROM THE BEAUTY OF YOUR GATES.
- * 12V LOW-VOLTAGE SYSTEM & SOLAR COMPATIBLE.

FOR PRICING ON ALL TURNSTYLE™ GATE OPENER MODELS PLEASE CONTACT YOUR LOCAL TURNSTYLE DISTRIBUTOR OR DEALER.

THE FULL LIST OF TURNSTYLE DISTRIBUTORS IS LISTED AT WWW.TURNSTYLEGATES.COM . IF TURNSTYLE DOES NOT HAVE A DISTRIBUTOR ESTABLISHED IN YOUR AREA YOU MAY CALL 1-800-548-2212 OR EMAIL HEADOFFICE@TURNSTYLEGATES.COM TO REQUEST A QUOTE.

VISIT OUR ONLINE STORE



WWW.ARMLESSGATEOPENER.COM

Buy Now

MasterCard VISA American Express Discover BANK

1-800-548-2212

WWW.TURNSTYLEGATES.COM